

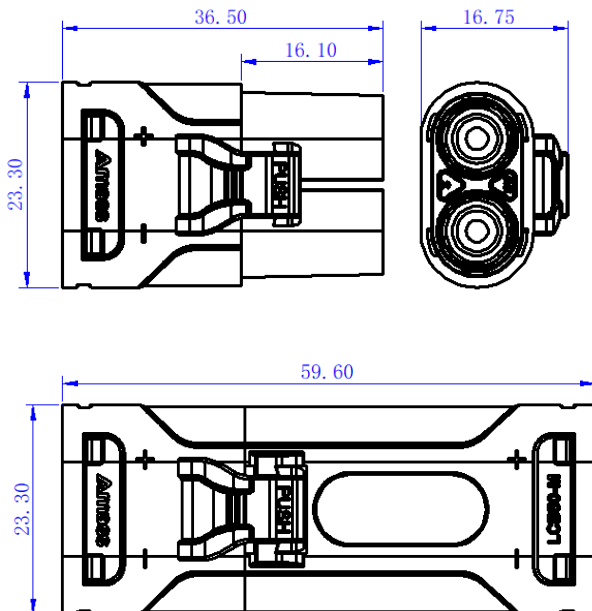
## 1. Product Model : LCB50-F

| P/N       | Part Description  | Sketch  |
|-----------|---|---|
| 97015-F.R | LCB50-F Plastic Housing Assembly, Red,<br>Rear Cover , Orange     |  |
| 97015-F.B | LCB50-F Plastic Housing Assembly, Black<br>Rear Cover , Orange    |  |
| 97015-F.O | LCB50-F Plastic Housing Assembly ,<br>Orange, Rear Cover , Orange |  |
| 91023-F.S | LC50-F Copper Terminal Assembly                                   |  |

## 2. Product Application Description

As a model of wire-harness to 90° soldered PCB joint connector in LC50 connector series, LCB50 apply in the field which require quite smaller space for connection between Li-battery、controller and motor mainly.

## 3. Product stacking diagram



## 4. Technical Parameters

| Electric Characteristic   |   |
|---|---|
| Current Rating  | 55A MAX(8AWG 0.08mm/10.0mm <sup>2</sup> 0.41mm <sup>Δ</sup> ≤30K) |
|   | 35A MAX(10AWG 0.08mm/6.0mm <sup>2</sup> 0.31mm <sup>Δ</sup> ≤30K) |
|   | 62A MAX(8AWG 0.08mm/10.0mm <sup>2</sup> 0.41mm <sup>Δ</sup> ≤40K) |
|   | 45A MAX(10AWG 0.08mm/6.0mm <sup>2</sup> 0.31mm <sup>Δ</sup> ≤40K) |
|   | 70A MAX(8AWG 0.08mm/10.0mm <sup>2</sup> 0.41mm <sup>Δ</sup> ≤55K) |
|   | 52A MAX(10AWG 0.08mm/6.0mm <sup>2</sup> 0.31mm <sup>Δ</sup> ≤55K) |
|   | 90A MAX(8AWG 0.08mm/10.0mm <sup>2</sup> 0.41mm <sup>Δ</sup> ≤85K) |
| 67A MAX(10AWG 0.08mm/6.0mm <sup>2</sup> 0.31mm <sup>Δ</sup> ≤85K) |   |
| Voltage   | 600V DC   |
| Insulation Resistance   | ≥2000MΩ   |
| Contact Resistance  | ≤0.6mΩ  |
| Mechanical Characteristic   |   |
| Plug Life   | 100 次   |
| FG Insertion Force  | ≤8.0kgf   |
| FG Extraction Force   | ≥12kgf  |
| Terminal Pushing Out Froce  | ≥14kgf  |
| Salt Spray  | Main brass parts 48h , Jaws 24h                                   |
| Environment Characteristic  |   |
| Work Temperature  | -40°C to 120°C  |
| Materials Flame Level   | UL94 V-0 ( Minimum Thickness 0.8mm )                              |
| Hot Wire Level  | GWFI 850°C ( Minimum Thickness 0.8mm )                            |
| Environmental   | RoHS2.0   |
| Material  |   |
| Outside Housing   | PBT GF30, Color: Red\Black\Orange                                 |
| Main Terminal   | Copper--T2, Plating: Sliver                                       |
| Usage   |   |
| Joint Method  | Rivet Joint   |
| Joint Reference   | Refer to <Six Side Riveting Process for LC series>                |

## 5. Transport and storage

- Product should be store in the clean and dry enviroment, far away from acid、alkali and the other corrosive gases.
- Storage enviroment: Temperature -10°C~40°C , Relative Humidity : ≤80%
- Product have to far away from light source (silver plating part), sealed packaging to store. Mustn't exposure to air for a long time or touch with sulfides, No bare hands touching.
- Apply to normal transport, should be avoiding collision、violent vibration、raining and snowing onto product、flooding ect.



During connector using, do not exceed the rated current and voltage



Please confirm the environment



Use carefully



Do not use when external force is applied to the connector

Prepared By :

Auditor :

Quality Checker :

Approver :